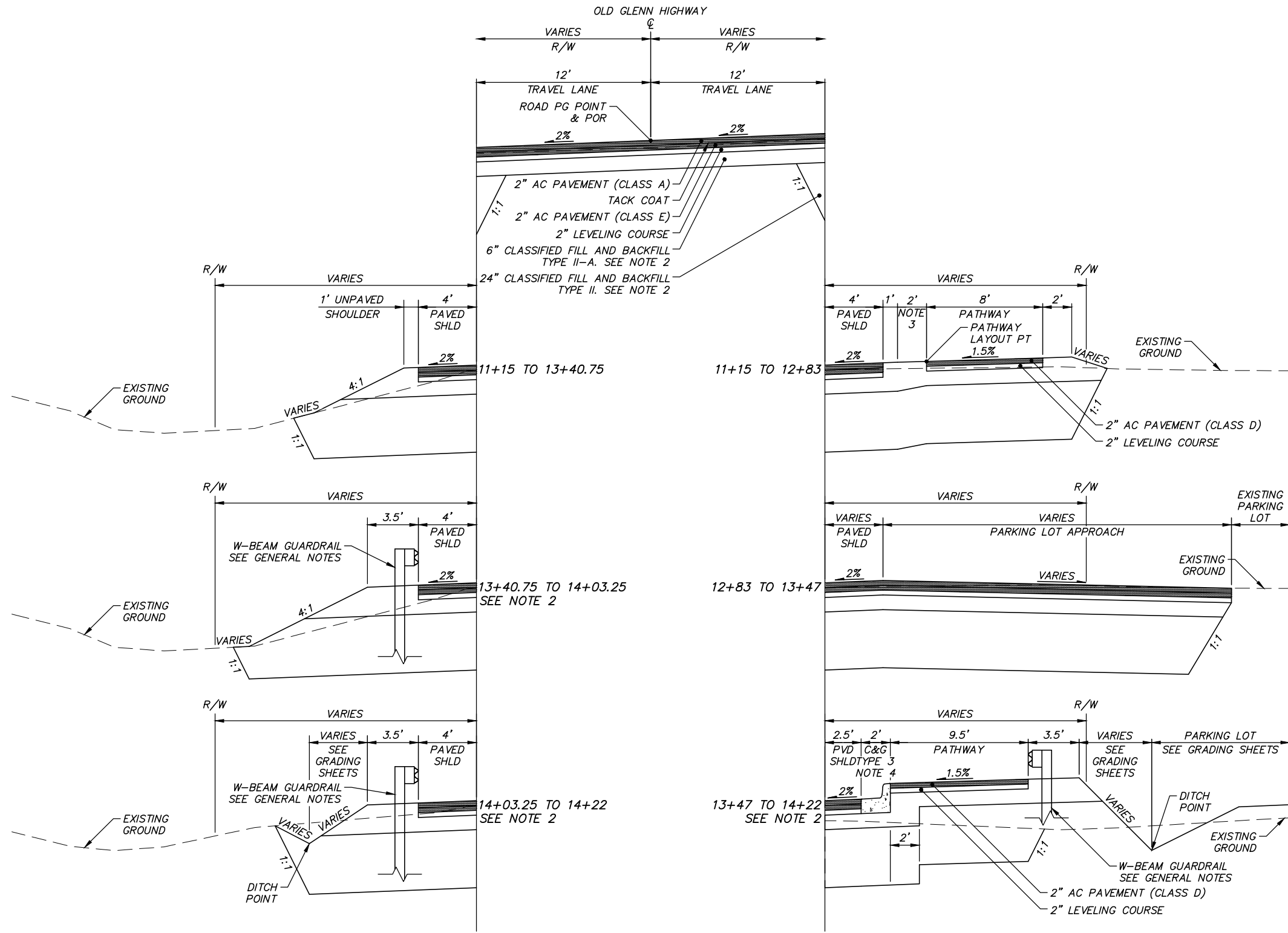
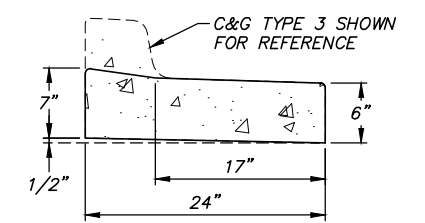


Plotted: 12/23/2014 9:38 AM File Location: Z:\project\2001.01 MOA_PME Replacement of Eklutna Bridge\Civil\ACAD\2001.01-E-Typical Sections.dwg



TYPICAL SECTION 1
STA 11+15 TO STA 14+22
NTS



P.C.C. CURB AND GUTTER TYPE 3A
NTS

NOTES

- BRIDGE NO. 537 FROM STA 14+42 TO STA 16+96, SEE BRIDGE SHEETS.
- FROM STA 13+97 TO STA 14+22, THICKNESSES OF CLASSIFIED FILL AND BACKFILL TYPE II AND TYPE II-A VARY, SEE ROADWAY-BRIDGE TRANSITION DETAIL.
- WIDTH VARIES. SEE PLAN AND PROFILE SHEETS FOR PATHWAY LAYOUT.
- TRANSITION CURB & GUTTER TYPE 3 TO TYPE 3A PER PATHWAY & CURB TRANSITION DETAILS.
- GRADE SLOPES AS NECESSARY TO CATCH WITHIN RIGHT-OF-WAY OR AS DIRECTED BY ENGINEER.

95% DESIGN
DECEMBER 2014

FIELD BOOKS	BM NO.	LOCATION	ELEV.	DATA	DRAWN BY	CHECKED BY	DATA	DRAWN BY	CHECKED BY	REV	DATE	DESCRIPTION	BY	REV	DATE	DESCRIPTION	BY
DESIGN				BASE			TELEPHONE										
STAKING				TOPOGRAPHY			ELECTRIC										
ASBULT				PROFILE			CABLE TV										
CONTRACTOR				SANITARY SEWER			DESIGN										
INSPECTOR				STORM SEWER			QUANTITIES										
CONSTRUCTION RECORD				WATER			MUN. FINAL CHK.										
				GAS													

R&M Consultants, Inc.
9101 Vanguard Drive
Anchorage, Alaska 99507
907 522 1707 voice
907 522 3404 fax
www.rmconsult.com



PROJECT MANAGEMENT AND
ENGINEERING DIVISION

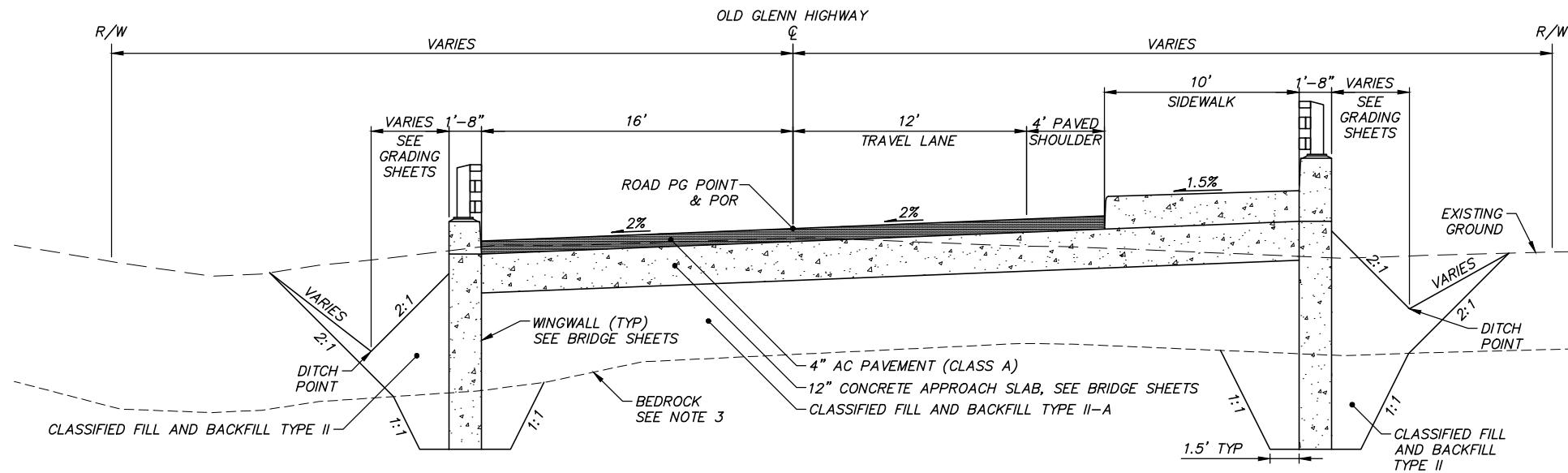
12-40
EKLUTNA RIVER BRIDGE REPLACEMENT AT OLD GLENN HWY
THUNDERBIRD DRIVE TO EKLUTNA LAKE ROAD

TYPICAL SECTIONS

TYPICAL SECTION 1

SCALE NTS DATE 12/23/14 GRID NW1965 SHEET 10 of 45
ACCT. NO.

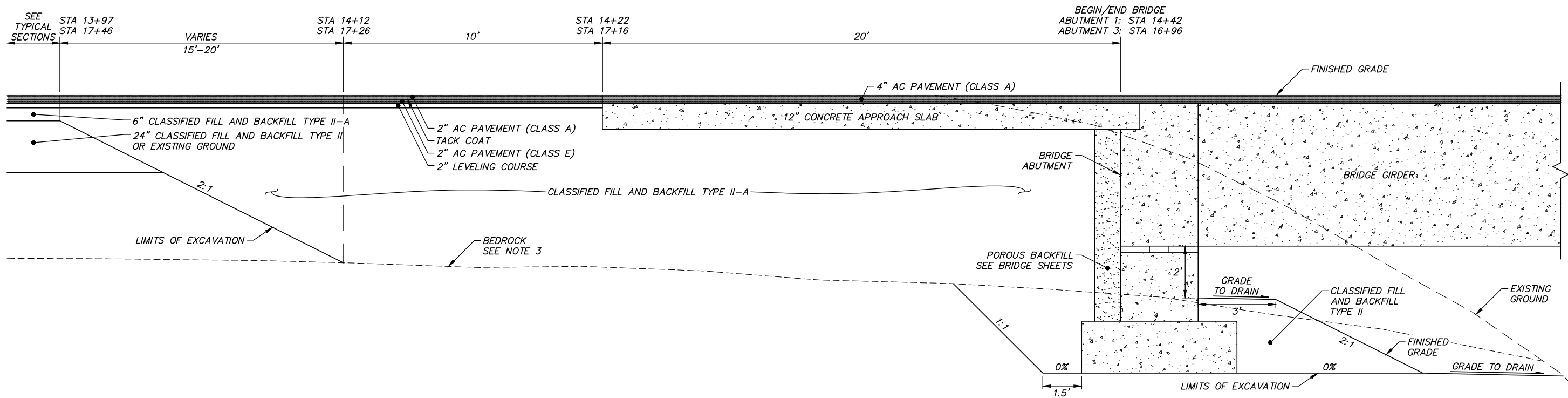
Plotted: 12/23/2014 9:38 AM File Location: Z:\project\2001.01 MOA_PME Replacement of Eklutna Bridge\Civil\ACAD\2001.01-E-Typical Sections.dwg



TYPICAL SECTION 2
 14+22 TO 14+42
 16+96 TO 17+16
 NTS

NOTES

1. BRIDGE NO. 537 FROM STA 14+42 TO STA 16+96, SEE BRIDGE SHEETS.
2. GRADE SLOPES AS NECESSARY TO CATCH WITHIN RIGHT-OF-WAY OR AS DIRECTED BY ENGINEER.
3. SEE GEOTECHNICAL REPORT FOR BEDROCK DEPTH.
4. SEE GRADING SHEETS FOR GRADING LAYOUT AT BRIDGE ABUTMENTS.



ROADWAY-BRIDGE SECTION TRANSITION DETAIL
 NTS

95% DESIGN
DECEMBER 2014

FIELD BOOKS	BM NO.	LOCATION	ELEV.	DATA	DRAWN BY	CHECKED BY	DATA	DRAWN BY	CHECKED BY	REV	DATE	DESCRIPTION	BY	REV	DATE	DESCRIPTION	BY
DESIGN				BASE			TELEPHONE										
STAKING				TOPOGRAPHY			ELECTRIC										
ASBULT				PROFILE			CABLE TV										
CONTRACTOR				SANITARY SEWER			DESIGN										
INSPECTOR				STORM SEWER			QUANTITIES										
				WATER			MUN. FINAL CHK.										
				GAS													
CONSTRUCTION RECORD				PLAN CHECK													
				REVISIONS													

R&M
 R&M Consultants, Inc.
 9101 Vanguard Drive
 Anchorage, Alaska 99507
 907 522 1707 voice
 907 522 3404 fax
 www.rmconsult.com



PROJECT MANAGEMENT AND ENGINEERING DIVISION

12-40
 EKLUTNA RIVER BRIDGE REPLACEMENT AT OLD GLENN HWY
 THUNDERBIRD DRIVE TO EKLUTNA LAKE ROAD

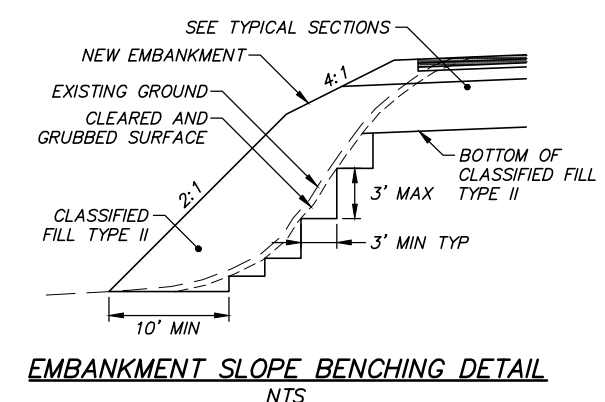
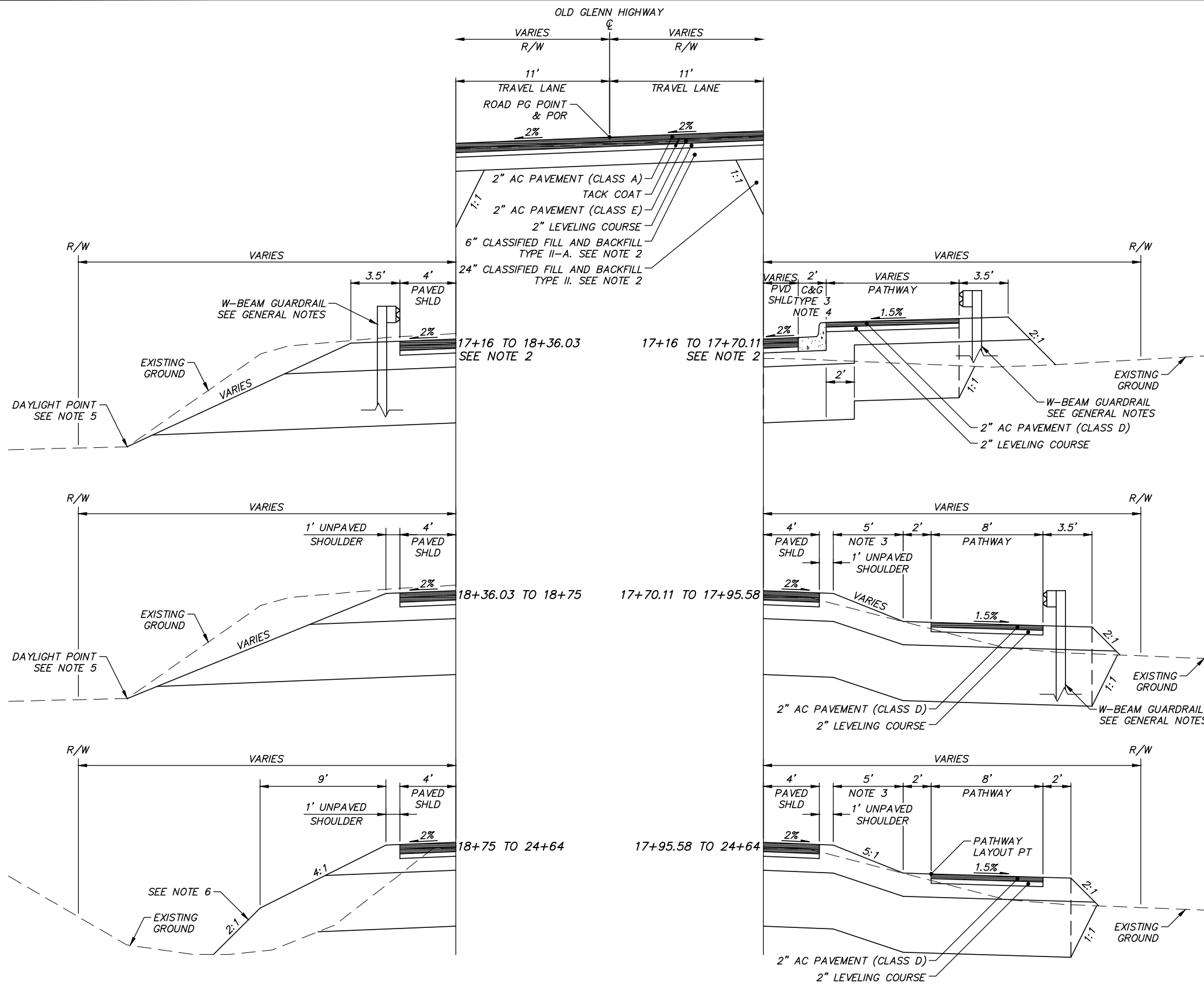
TYPICAL SECTIONS

TYPICAL SECTION 2 & ROADWAY-BRIDGE SECTION TRANSITION DETAIL

SCALE NTS DATE 12/23/14 GRID NW1965 SHEET 11 of 45

ACCT. NO.

Plotted: 12/23/2014 9:38 AM File Location: Z:\project\2001.01 MOA_PME Replacement of Eklutna Bridge\Civil\ACAD\2001.01-E-Typical Sections.dwg



TYPICAL SECTION 3
STA 17+16 TO STA 24+64
NTS

- NOTES**
- BRIDGE NO. 537 FROM STA 14+42 TO STA 16+96, SEE BRIDGE SHEETS.
 - FROM STA 17+16 TO STA 17+46, THICKNESSES OF CLASSIFIED FILL AND BACKFILL TYPE II AND TYPE II-A VARY, SEE ROADWAY-BRIDGE TRANSITION DETAIL.
 - WIDTH VARIES. SEE PLAN & PROFILE AND PATHWAY TRANSITION DETAIL SHEETS FOR PATHWAY LAYOUT.
 - TRANSITION CURB & GUTTER TYPE 3 TO TYPE 3A PER PATHWAY & CURB TRANSITION DETAILS.
 - SEE PLAN & PROFILE SHEETS FOR DAYLIGHT LAYOUT POINTS.
 - CONSTRUCT BENCHES ON SLOPES ACCORDING TO EMBANKMENT SLOPE BENCHING DETAIL AND AS DIRECTED BY ENGINEER.
 - GRADE SLOPES AS NECESSARY TO CATCH WITHIN RIGHT-OF-WAY OR AS DIRECTED BY ENGINEER.

95% DESIGN
DECEMBER 2014

FIELD BOOKS	BM NO.	LOCATION	ELEV.	DATA	DRAWN BY	CHECKED BY	DATA	DRAWN BY	CHECKED BY	REV	DATE	DESCRIPTION	BY	REV	DATE	DESCRIPTION	BY
DESIGN				BASE			TELEPHONE										
STAKING				TOPOGRAPHY			ELECTRIC										
ASBUILT				PROFILE			CABLE TV										
CONTRACTOR				SANITARY SEWER			DESIGN										
INSPECTOR				STORM SEWER			QUANTITIES										
				WATER			MUN. FINAL CHK.										
				GAS													
CONSTRUCTION RECORD																	

R&M Consultants, Inc.
9101 Vanguard Drive
Anchorage, Alaska 99507
907 522 1707 voice
907 522 3404 fax
www.rmconsult.com



PROJECT MANAGEMENT AND
ENGINEERING DIVISION

12-40
EKLUTNA RIVER BRIDGE REPLACEMENT AT OLD GLENN HWY
THUNDERBIRD DRIVE TO EKLUTNA LAKE ROAD
ROADWAY-BRIDGE SECTION
TRANSITION DETAILS
TYPICAL SECTION 3

SCALE NTS DATE 12/23/14 GRID NW1965 SHEET 12 of 45
ACCT. NO.